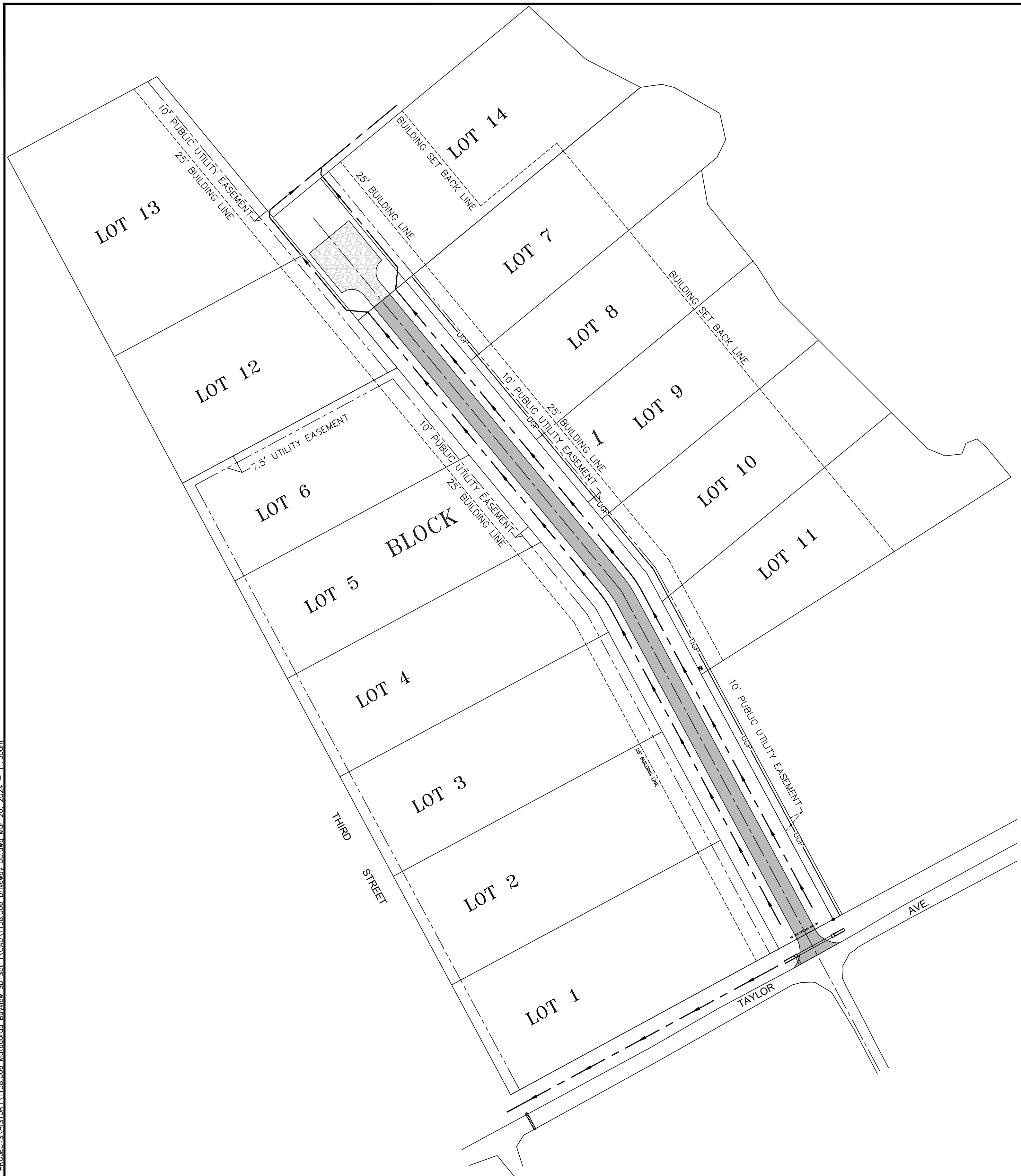
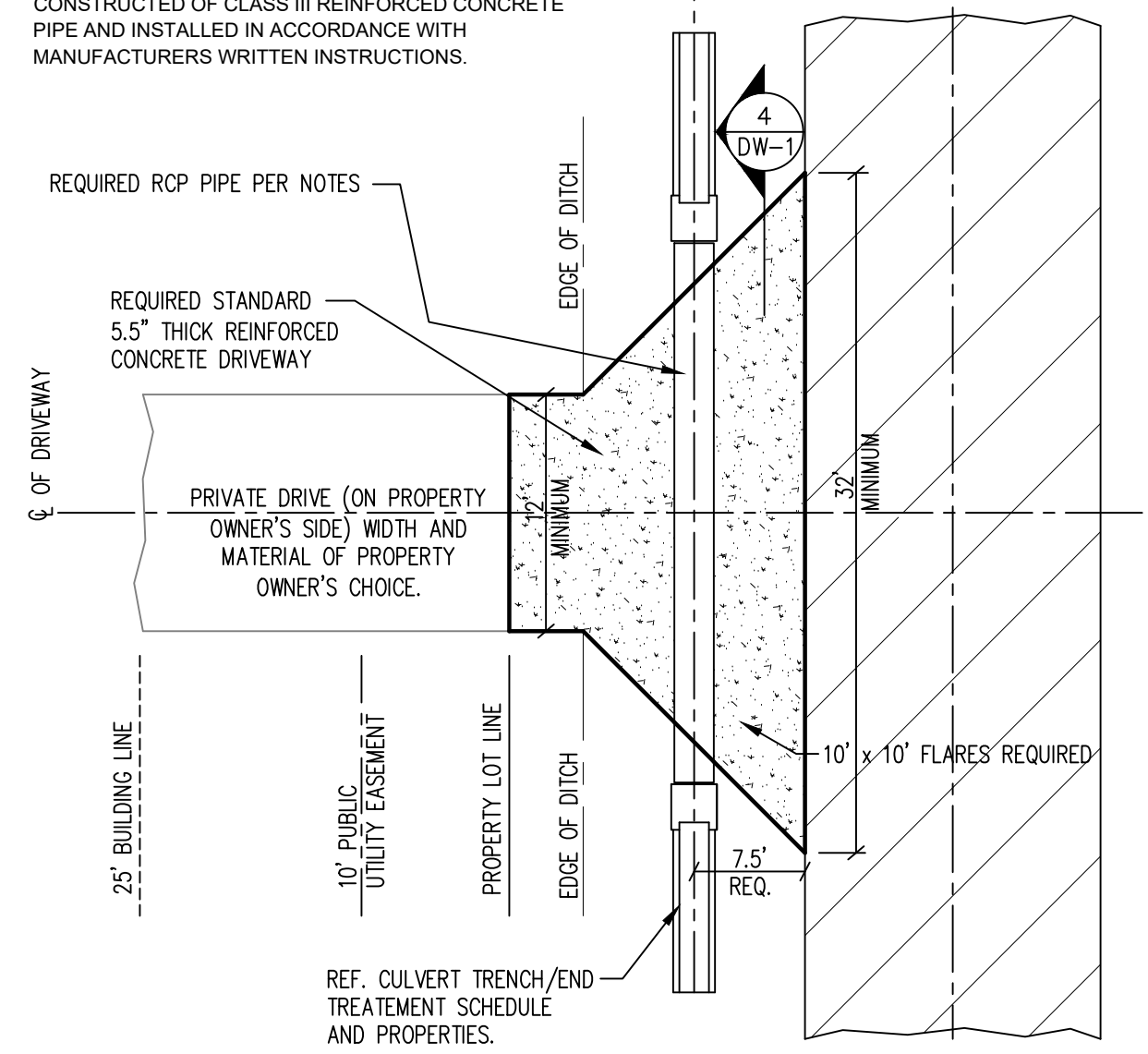


I:\SERVER\IO\Public\Civil_DEPT_PROJECTS\HISTORY\1158.006_Matagorda_Bayview_UD.dwg, Mar 20, 2024, 11:30am



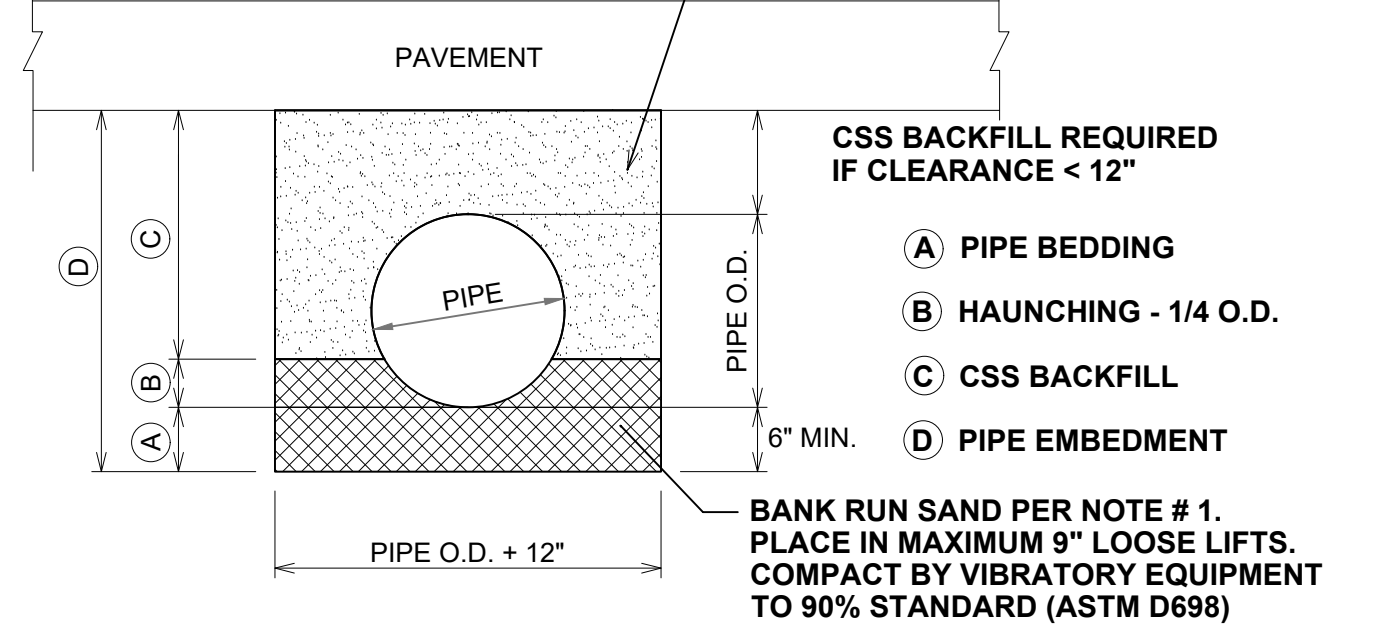
MATERIALS & CONNECTIONS:

RCP (REINFORCED CONCRETE PIPE) SHALL BE CONSTRUCTED OF CLASS III REINFORCED CONCRETE PIPE AND INSTALLED IN ACCORDANCE WITH MANUFACTURERS WRITTEN INSTRUCTIONS.

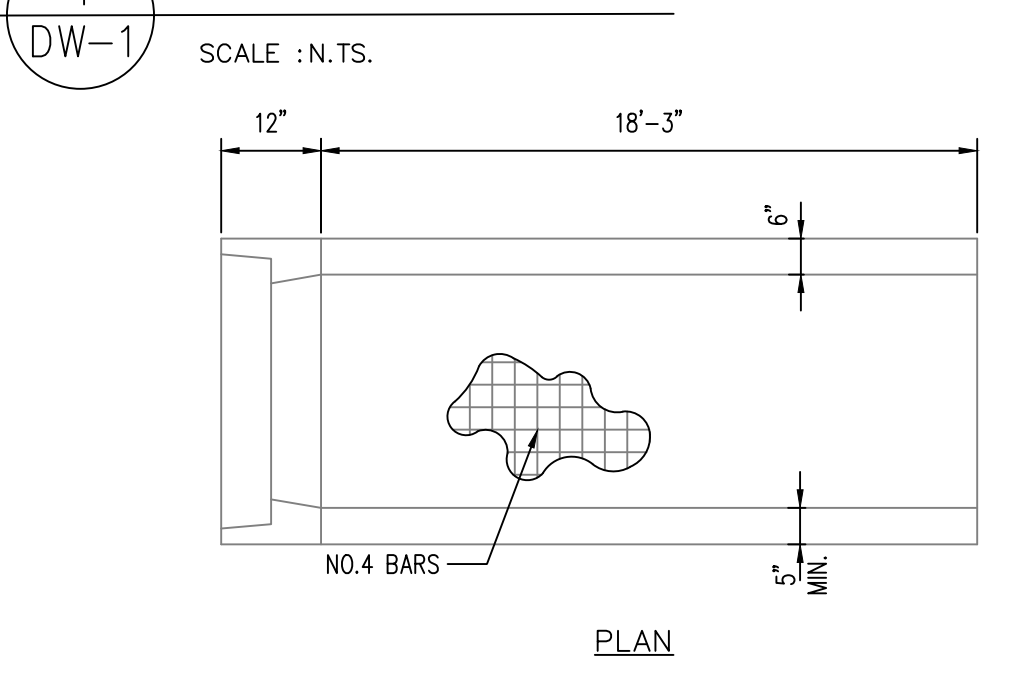


EMBEDMENT GENERAL NOTES

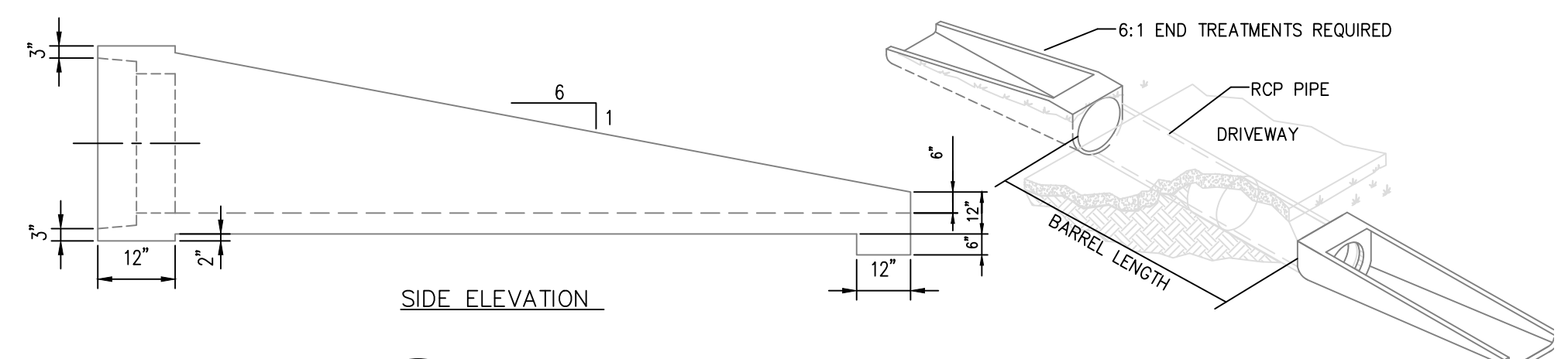
- BANK RUN SAND SHALL BE SP, SW OR SM PER USC (ASTM D2487) AND SHALL HAVE THE FOLLOWING PROPERTIES: LESS THAN 15% PASSING #200 SIEVE; LESS THAN 2% CLAY LUMPS; PI < 7; LL < 25.
- CEMENT STABILIZED SAND SHALL CONTAIN A MINIMUM OF TWO (2) SACKS OF CEMENT PER CUBIC YARD. THE SAND SHALL BANK RUN SAND AS SPECIFIED ABOVE.



4 TRENCH DETAILS



3 END TREATMENT DETAIL



CONCRETE DRIVEWAY NOTES:

- CONCRETE SHALL MEET THE REQUIREMENTS OF TXDOT (2004) ITEM 421 - HYDRAULIC CEMENT CONCRETE, CLASS A, WITH THE FOLLOWING MODIFICATIONS: MINIMUM 28-DAY COMPRESSIVE STRENGTH OF 3,500 PSI; SLUMP SHALL RANGE FROM 4 INCHES TO 6-1/2 INCHES AT THE POINT OF PLACEMENT.
- STEEL REINFORCEMENT SHALL MEET THE REQUIREMENTS OF ASTM A615 AND GRADE 60. SEE CHART BELOW.

PAVEMENT PARAMETERS			
DESCRIPTION	SUBGRADE	PAVEMENT THICKNESS	REINFORCEMENT
DRIVEWAY CONCRETE	MOISTURE COND.	5.5'	#3 BARS @ 18" O.C.B.W

GENERAL NOTE FOR EXISTING UTILITY LOCATIONS:

AN ATTEMPT HAS BEEN MADE TO SHOW THE APPROXIMATE UTILITY LOCATIONS. THE LOCATION OF THOSE SHOWN IS NOT GUARANTEED TO BE ACCURATE OR COMPLETE. THE CONTRACTOR SHALL BE RESPONSIBLE FOR CONTACTING THE APPROPRIATE UTILITY PRIOR TO ANY EXCAVATION. THE CONTRACTOR SHALL, AT HIS OWN EXPENSE, LOCATE AND PROTECT THE EXISTING UTILITIES, AND IF THEY ARE DAMAGED, HE SHALL REPLACE THEM, AT NO COST TO THE OWNER, AND TO THE SATISFACTION OF THE RESPECTIVE UTILITY COMPANY. BECAUSE THE EXISTING UTILITIES MUST BE KEPT FUNCTIONAL, IT WILL BE NECESSARY THAT THE CONTRACTOR WORK CLOSELY WITH THE RESPECTIVE UTILITY COMPANY.

STORM WATER POLLUTION PREVENTION PLAN

CONTRACTOR SHALL EMPLOY MEASURES AND CONSTRUCTION PRACTICES TO PREVENT EROSION AT OR ADJACENT TO THE PROJECT SITE. THE CONTRACTOR IS SOLELY RESPONSIBLE FOR PROVIDING SW3P MEASURES TO COMPLY WITH THE STORM WATER POLLUTION PREVENTION REQUIREMENTS OF LOCAL, STATE, AND FEDERAL REGULATORY AGENCIES INCLUDING, BUT NOT LIMITED TO, THE TEXAS COMMISSION ON ENVIRONMENTAL QUALITY (TCEQ) AND THE UNITED STATES ENVIRONMENTAL PROTECTION AGENCY (EPA). EROSION CONTROL SHALL BEGIN AT THE ONSET OF THE PROJECT (PRIOR TO MOBILIZATION) AND BE MAINTAINED THROUGHOUT THE ENTIRE DURATION OF THE WORK UNTIL FINAL ACCEPTANCE.

ALL PROJECTS FALL UNDER ONE OF THREE CATEGORIES OF SITE DISTURBANCE DEPENDING ON THE TOTAL AREA BEING DISTURBED. THE CONTRACTOR SHALL REVIEW TCEQ GENERAL PERMIT NUMBER TXR150000 RELATING TO DISCHARGES FROM CONSTRUCTION RELATED ACTIVITIES AND IMPLEMENT ALL REQUIRED MEASURES.

CULVERT SIZE REQUIREMENTS

LOT #	RCP CULVERT DIAMETER (IN.)	MINIMUM CULVERT LENGTH (BARREL LN.) (FT.)	S.E.T. SIZE (IN.)	S.E.T. SLOPE	
LOT 1	12"	-	25'	15"	6:1
LOT 2	12"	-	25'	15"	6:1
LOT 3	15"	-	25'	15"	6:1
LOT 4	15"	-	25'	15"	6:1
LOT 5	18"	-	25'	18"	6:1
LOT 6	18"	-	25'	18"	6:1
LOT 7	18"	-	25'	18"	6:1
LOT 8	18"	-	25'	18"	6:1
LOT 9	15"	-	25'	15"	6:1
LOT 10	15"	-	25'	15"	6:1
LOT 11	15"	-	25'	15"	6:1
LOT 12	18"	-	25'	18"	6:1
LOT 13	18"	-	25'	18"	6:1
LOT 14	18"	-	25'	18"	6:1

NOTES:

- CLASS "C" CONCRETE
 - 12" ARE MADE WITH 12" KNOCK OUT FOR SMALLER PIPE IN 15" SET MOLD
 - 6" WALL IN 36" AS PER CHART
 - REINFORCEMENT:
 12"-24" #4 BARS @ 9" C/C GRADE 60
 24"-36" #4 BARS @ 6" C/C GRADE 60
- SPECIFICATIONS**
- CONCRETE :
 CLASS 1 CONCRETE WITH OF DESIGN STRENGTH OF 4500 PSI AT 28 DAYS. UNIT IS OF MONOLITHIC CONSTRUCTION INCLUDING WALLS AND FLOOR.
- REINFORCEMENT:
 GRADE 60 REINFORCED. NO. 4 STEEL REBAR TO CONFORM TO ASTM A615 ON REQUIRED CENTERS OR EQUAL.

DRAWN BY: BD
 CHK'D BY: SPM
 DATE: 03/20/24
 SCALE: AS SHOWN
 REVISION:
 0, 09/25/19
 1, 03/20/24

Texas Registered Engineering Firm F-04189
G & W ENGINEERS, INC.
 • ENGINEERING • SURVEYING • CONSULTING • PLANNING
 205 W. Live Oak St. Port Lavaca, Texas 77979 (361)552-4509

MATAGORDA BAYVIEW SUBDIVISION
 PORT O'CONNOR, TEXAS
STANDARD DRIVEWAY DETAILS

FILE NO.
 1158.006 Driveway UD.dwg
 JOB NUMBER:
 1158.006 / 1158.010
 SHEET NO.
 DW-1